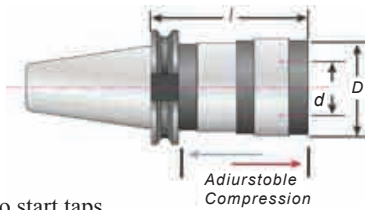


Mill • Collet Chucks & knob Sockets



CAT V-Flange Tension/Compression Tap Holders



Features:

- Interchangeable with Bliz System
- Holder adjustable tension feature is used only for hard to start taps

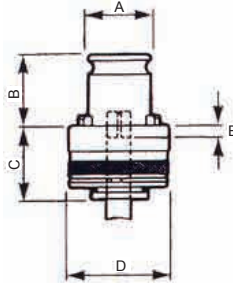
CAT 40 V-Flange

Adapter Size	Adapt. (d)	Proj. (L)	Dia. (D)	Order	Price
1	0.748"	2.36"	1.50"	202-1278	\$236.00
2	1.220	3.94	2.17	202-1288	268.00

CAT 50 V-Flange

Adapter Size	Adapt. (d)	Proj. (L)	Dia. (D)	Order	Price
1	0.748"	2.44"	1.50"	202-1289	\$316.00
2	1.220	3.27	2.17	202-1290	349.60

ANSI Clutch Drive Tap Collets



When tap gets to the bottom of the hole and the programming is incorrect, the tap automatically stop spinning so it will break.

Size 1

ANSI	Metric	Order	Price
#0-#6	M1.6-M3.5	202-1475	\$63.75
#8,5/32"	M4	202-1476	63.75
#10,3/16"	M4.5-M5	202-1477	63.75
#12,7/32"	---	202-1478	63.75
1/4"	M6,M6.3	202-1479	63.75
5/16"	M7,M8	202-1480	63.75
3/8"	M10	202-1481	63.75
7/16"	M11	202-1482	63.75
1/2"	M12,M12.5	202-1483	63.75
9/16"	M14	202-1484	63.75

Size 2

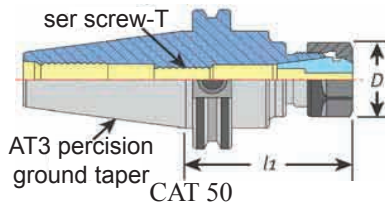
ANSI	Metric	Order	Price
5/16"	M7,M8	202-1485	\$81.00
3/8"	M10	202-1486	81.00
7/16"	M11	202-1487	81.00
1/2"	M12,M12.5	202-1488	81.00
9/16"	M14	202-1489	81.00
5/8"	M16	202-1490	81.00
11/16"	M18	202-1491	81.00
3/4"	---	202-1492	81.00
13/16"	M20	202-1493	81.00
7/8"	M22	202-1494	81.00

Size	A	B	C	D	E
Size 1	.75"	.85"	.98"	1.26"	.31"
Size 2	1.22"	1.38"	1.34"	1.97"	.16"

CAT V-Flange ER Collet Chucks



- Certification included with each holder documented TIR, taper accuracy, and balance measurement
- Produced according to AT3 specifications
- Maximum TIR .0001" OD to ID
- Balanced to 25,000 RPM at G2.5 for high speed
- Optional power coating nut holds shank up to 75% tighter than standard nuts



CAT 40

Collet Series	Gage Length (L)	Dia. (D)	Order	Price
ER-11	3"	0.748"	202-1437	\$93.00
ER-16	2.76	1.260	202-1438	93.00
ER-16	4	1.260	202-1439	96.00
ER-20	2.76	1.380	202-1440	99.95
ER-20	4	1.380	202-1441	102.95
ER-25	2.76	1.650	202-1442	99.95
ER-25	4	1.650	202-1443	102.95
ER-32	2.76	1.970	202-1444	99.00
ER-32	4	1.970	202-1445	102.95
ER-40	3.15	2.480	202-1446	116.00
ER-40	6	2.480	202-1447	119.00

Short Series Super-Rigid ER Collet Chuck

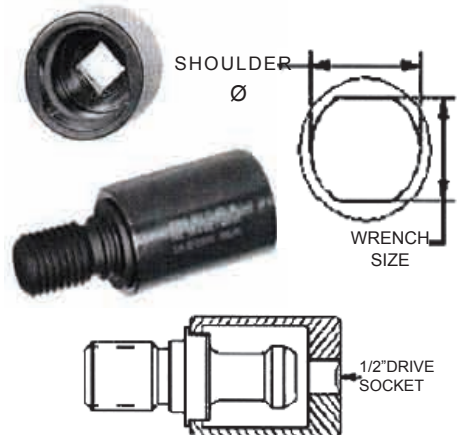
Holds ER 32 Collets

Collet Series	Range	Proj. (L)	Order	Price
CAT40	1.10"	1.57"	202-1448	\$91.45
CAT50	1.10"	1.57"	202-1449	119.65

Series	Range	Proj. (L)	Order	Price
ER-16	1/8~7/16"	4"	202-1605	\$118.50
ER-25	1/8~5/8"	4	202-1606	118.50
ER-32	1/8~3/4"	4	202-1607	118.50
ER-40	1/8~1"	2.5	202-1608	124.00
ER-40	1/8~1"	4	202-1609	124.00

SHARS Retention Knob Sockets

- Lifetime Guarantee • Made in the USA • Sockets have 1/2" drive
- Torque value is laser-marked on socket
- Extends the life span for the Retention Knob or Pull Stud and tool holder.



Taper CAT/BT	Retention Knob Type	Knob Socket	Max. Dia. Shoulder	Max. Dia. Wrench Flate	Max Torque	Order #	Price
30	ANSI	RKW30	0.655"	0.535"	40	202-5958	\$45.00
	JMTBA	RKW30M	0.675	0.511	40	202-5959	45.00
	DIN	RKW30D	0.675	0.556	40	202-5960	45.00
40	ANSI, JMTBA, DIN, ISO	RKW40	0.944	0.755	85	202-5961	48.90
	ISO TYPE B	RKW40M	0.894	0.711	85	202-5962	48.90
50		RKW50	1.450	1.255	110	202-5963	55.80
	JMTBA, ISO TYPE A & B	RKW50M	1.500	1.185	110	202-5964	