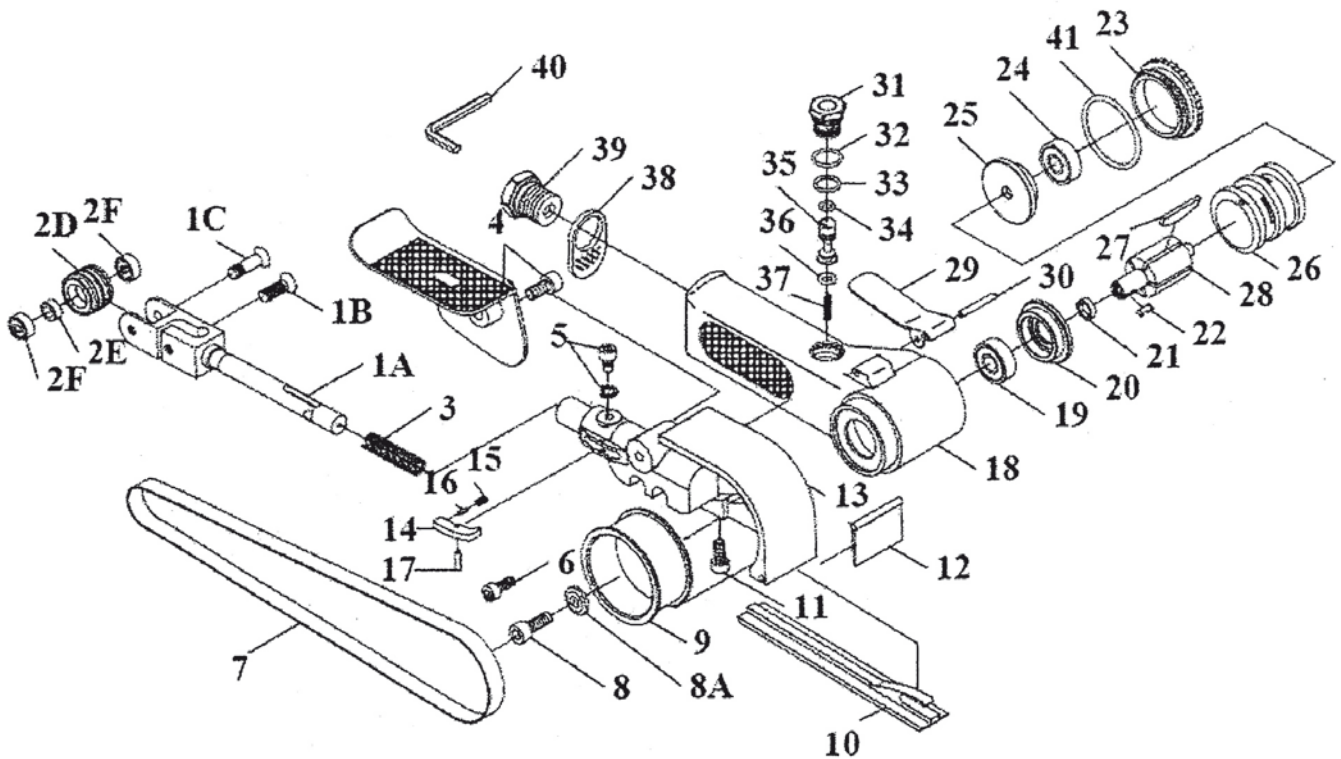


# SPARE PARTS LIST

## 20mm Air Belt Sander (Model: 202-2421)



Part No.	Description	Qty.
1A	Idle Pulley Bracket Sub Ass'y	1
1B	Set Sc rew	1
1C	Screw	1
2D	Idle Pulley	1
2E	Washer	1
2F	Ball Bearing	2
3	Spring	1
4	Finger Pad Assy	1
5	Key Bolt Assy	1
6	Hexagon Socket Head Bolt	1
7	Grinding Belt	1
8	Hexagon Socket Head Bolt	1
8A	Washer	1
9	Drive Pulley	1
10	Flat Shoe	1
11	Hexagon Socket Head Bolt	1
12	Dust Cover	1
13	Guard Body	1
14	Tension Bar	1
15	Spring	1
16	Lever P in	1
17	Lever P in	1
18	Housing	1

Part No.	Description	Qty.
19	Ball Bearing	1
20	End Plate B	1
21	Spacer	1
22	Sunk Key	1
23	Cap	1
24	Ball Bearing	1
25	End Plate A	1
26	Cylinder	1
27	Blade Assy (5pc/set)	5
28	Rotor	1
29	Throttle Lever	1
30	Lever Pin	1
31	Valve Body	1
32	O-Ring	1
33	O-Ring	1
34	O-Ring	1
35	Valve Stem	1
36	O-Ring	1
37	Valve Spring	1
38	Deflector	1
39	Air Inlet	1
40	Hex. Wrench 4mm	1
41	O-Ring	1