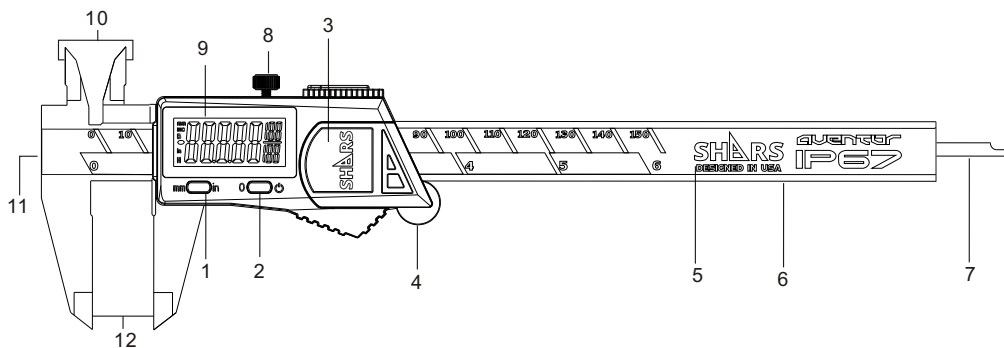


WATER-PROOF DIGITAL CALIPER INSTRUCTIONS



- 1.mm/in Button 2. 0/⏻ Button 3.Battery Cover 4.Thumb Roll(option)
 5.Protective Sticker 6.Beam 7.Depth Measurement Rod 8.Locking Screw
 9.LCD Display 10.Internal Jaws 11.Step Measurement 12.External Jaws

Button Functions

in/mm button : Short press for inch/metric conversion
 0/⏻ button : Short press for power on or set zero ; long press for power off

Feature

1. Inductive measuring system with relative mode
2. Protection grade IP67
 - .Prevent any dust
 - .Can be used in the water(less than 1 meter depth) for a short time
3. Response speed : 3.2m/S
4. Auto power off. Power on when caliper moving.
5. 3V Lithium battery, type CR2032, battery life approx 1 years
6. Display:11mm high digit
7. Low power alarm: When " B " on display appears , you should replace the battery.
8. Option : Inch fractional function

Main Technical Date

Measuring Range :	0~150mm/0~6" 0~200mm/0~8" 0~300mm/0~12"
Resolution:	0.01mm/0.0005"
Accuracy :	. 0~150mm/0~6" =0.03mm/0.0015" . 0~200mm/0~8" =0.03mm/0.0015" . 0~300mm/0~12" =0.04mm/0.002"
Operational Temperature Range :	0~40°C
Storage Temperature:	-20~70°C
Environmental Humidity :	unlimited

Battery Replacement



When display shows "B" you need to replace battery

Maintenance

- .To make sure caliper work well, you can clean the caliper with a soft cloth after use it
- .For protect the metal parts, you can apply a coat of oil on metal parts surfaces

Notice

- .Digital caliper is precision instrument. Please avoid the caliper in the direct sunlight.
- .If "B" on the display ,the instrument can't work well.Please replace the battery.
- .Unauthorized , don't try to disassemble the caliper.
- .Never charging and burning.
- .You should comply with local regulations to dispose of the battery.