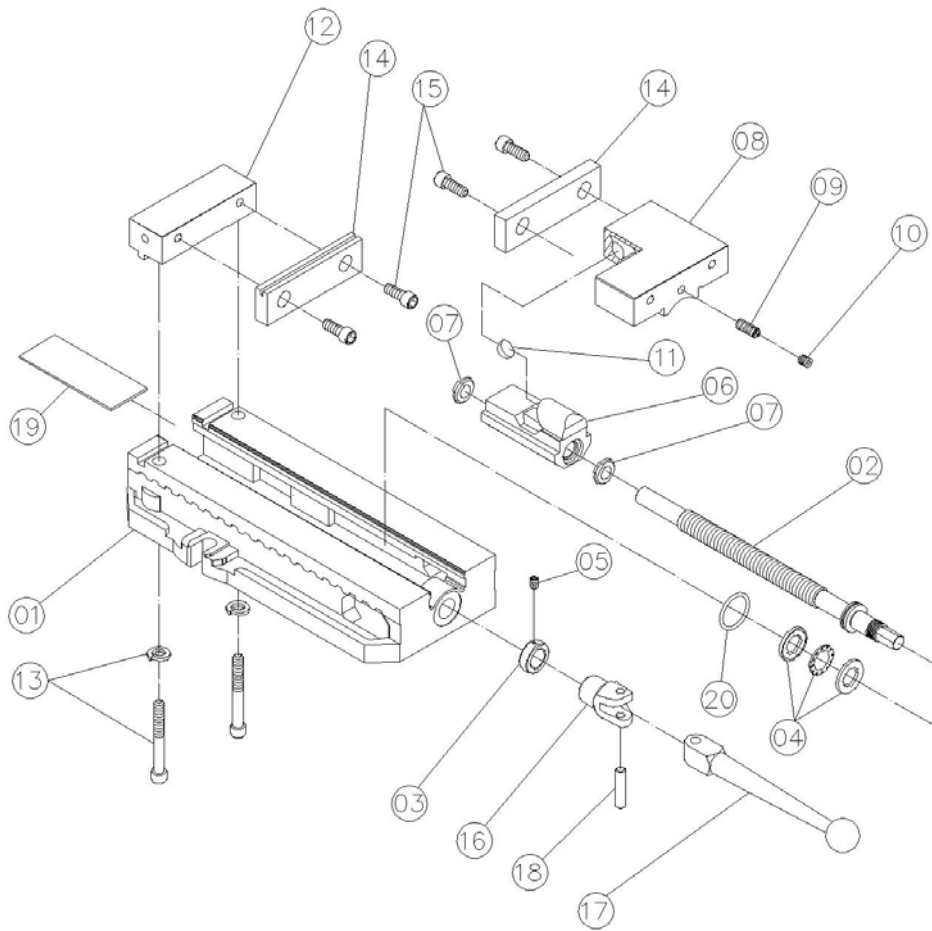




690V 6" Milling Vise



No.	Description	No.	Description
1	Vise Body	11	Semi-sphere Segment
2	Main Screw	12	Fixed Jaw
3	Collar	13	Fixed Jaw Set Screw
4	Bearing Thrust Collar	14	Jaw Plate
5	Collar Set Screw	15	Jaw Plate Set Screw
6	Vise Nut	16	Handle Socket
7	Brush	17	Handle Bar
8	Movable Jaw	18	Pin
9	Adjusting Screw	19	Slide Cover
10	Screw	20	O-Ring