

IP67 COOLANT PROOF CALIPER

ABSOLUTE Digital Caliper with waterproof scale

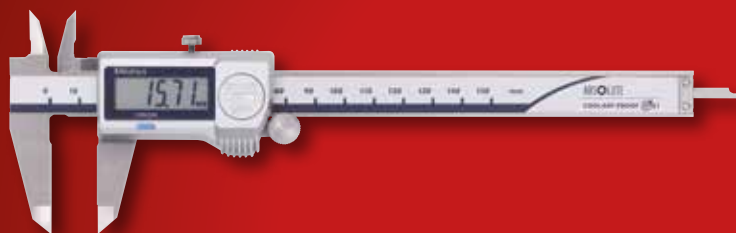
ABSOLUTE®

IP67



www.tuv.com
ID 0000045042

COOLANT PROOF™



SMALL TOOL INSTRUMENTS
AND DATA MANAGEMENT

Digital Caliper with waterproof scale

IP67 ABSOLUTE

Coolant Proof Caliper

Features

- ABS Coolant Proof Caliper with Dust/Water Protection conforming to IP67 Level. Can be used in workshop conditions exposed to coolant, water, dust or oil. 100% air-leak test ensures every caliper conforms to IP67.
- Font height is 9mm (increased by 22%) and visibility is improved.
- Battery cap does not require a screw driver for battery replacement.
- Extended battery life of 5 years due to low-current integrated circuit.
- Easy to use — advanced ergonomic design uses only 1 button.



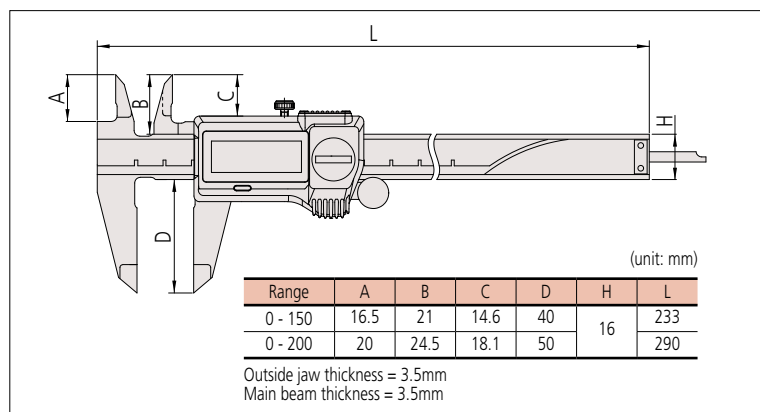
Battery cap

Specifications

Metric								
Order No.	Range	Accuracy*	Mass	Measurement data output port	Thumb roller	Remarks		
500-706-20	0 - 150mm	±0.02mm	168g	—	—	—		
500-709-20	0 - 150mm		168g			Depth bar ø1.9mm		
500-707-20	0 - 200mm		198g			—		
500-716-20	0 - 150mm		168g			—		
500-717-20	0 - 200mm		198g			—		
500-727-20	0 - 150mm		198g			✓	Carbide-tipped jaws for outside and inside measurement	
500-728-20	0 - 200mm		198g			—	Carbide-tipped jaws for outside measurement	
500-702-20	0 - 150mm		168g			—	—	
500-703-20	0 - 200mm		198g			—	—	
500-712-20	0 - 150mm		168g			—	—	
500-713-20	0 - 200mm		198g			—	—	
500-719-20	0 - 150mm		168g			—	—	
500-721-20	0 - 150mm		168g			✓	✓	Depth bar ø1.9mm
500-722-20	0 - 200mm		198g			—	—	Carbide-tipped jaws for outside measurement
500-723-20	0 - 150mm		168g			—	—	Carbide-tipped jaws for outside and inside measurement
500-724-20	0 - 200mm		198g			—	—	—

* Not including quantizing error of ±1 count in LSD

DIMENSIONS



- Incorporates Mitutoyo's ABSOLUTE measurement system. No need to reset the origin.
- The automatic power-on/off function shuts down the LCD display after 20 minutes inactivity, but the ABS scale origin is unaffected. Power is restored to the display when the slider is moved.
- Stepped features can be measured.
- Can be integrated into statistical process control and measurement systems.
- An inspection certificate is supplied as standard. (However, this cannot be used as a calibration certificate as it is undated.)

Inch/Metric								
Order No.	Range	Accuracy*	Mass	Measurement data output port	Thumb roller	Remarks		
500-731-20	0-150 mm/0 - 6"	±0.02mm/ ±.001"	168g	—	—	Carbide-tipped jaws for outside measurement		
500-732-20	0-200 mm/0 - 8"		198g			Carbide-tipped jaws for outside and inside measurement		
500-733-20	0-150 mm/0 - 6"		168g			—		
500-734-20	0-200 mm/0 - 8"		198g			—		
500-735-20	0-150 mm/0 - 6"		168g			✓	✓	Carbide-tipped jaws for outside measurement
500-736-20	0-200 mm/0 - 8"		198g					Carbide-tipped jaws for outside and inside measurement
500-737-20	0-150 mm/0 - 6"		168g			—		
500-738-20	0-200 mm/0 - 8"		198g			—		
500-752-20	0-150 mm/0 - 6"		168g			—	—	
500-753-20	0-200 mm/0 - 8"		198g			—	—	
500-762-20	0-150 mm/0 - 6"		168g			—	—	
500-763-20	0-200 mm/0 - 8"		198g			✓	—	
500-768-20	0-150 mm/0 - 6"		168g			—	—	Depth bar ø1.9mm
500-769-20	0-150 mm/0 - 6"		168g			✓	—	Depth bar ø1.9mm

* Not including quantizing error of ±1 count in LSD

Technical Data

- Resolution: 0.01mm or .0005"/**0.01mm**
- Repeatability: 0.01mm or .0005"/**0.01mm**
- Power supply: SR44 (1 pc), 938882, for initial operational checks (standard accessory)
- Battery life: Approx. 5 years under normal use
- Max. response speed: Unlimited

Optional accessories

Dedicated for the models equipped with a digimatic output function.

● Connecting cables

- No.05CZA624: DIGIMATIC cable with data button (1m)
- No.05CZA625: DIGIMATIC cable with data button (2m)

● USB Input Tool Direct

- No.06ADV380A: USB Input Tool Direct (2m)



● Connecting cables for U-WAVE-T

- No.02AZD790A: U-WAVE-T connection cable (160mm)
- No.02AZE140A: U-WAVE-T connection cable, footswitch type

Mitutoyo

Mitutoyo Europe GmbH

Borsigstraße 8-10
41469 Neuss Germany

Tel. +49 (0) 2137-102-0
Fax +49 (0) 2137-102-351

info@mitutoyo.eu
www.mitutoyo.eu



Find additional product literature and our product catalogue

www.mitutoyo.eu

Note: Product illustrations are without obligation. Product descriptions, in particular any and all technical specifications, are only binding when explicitly agreed upon.

MITUTOYO and MICAT are either registered trademarks or trademarks of Mitutoyo Corp. in Japan and/or other countries/regions.

Other product, company and brand names mentioned herein are for identification purposes only and may be the trademarks of their respective holders.

Coordinate Measuring Machines

Vision Measuring Systems

Form Measurement

Optical Measuring

Sensor Systems

Test Equipment and Seismometers

Digital Scale and DRO Systems

Small Tool Instruments and Data Management